



Type SBVE-GD 88 built into a swimming pool area

Detail: gas strut and safety device

Loading Capacity: 125 kN test load (per EN124) when filled with grade C35/45 Concrete (EN 206)

Materials: Frame and cover made of 2 mm grade 304 stainless steel, passivated. Stainless steel hinges. High-specification gas strut(s).

Features: Comfort-lift access cover. Smell proof, largely water-tight (not guaranteed to be completely water-tight). EPDM seal. Opening tools included. Opening is assisted by the gas strut(s) to such an extent that the cover can be opened and closed by one person. Safety device fitted to prevent the open cover from closing.

Lift Open System: SureCover SBVE-GD comes with a set of lifting keys and precise installation instructions. Jammed covers are released by simply turning the Brass Key provided.

Applications: As a cover over installations that need to be opened frequently, without particular effort. Particularly for inspection chambers and swimming pool areas. For indoor swimming pools only use grade 316 material

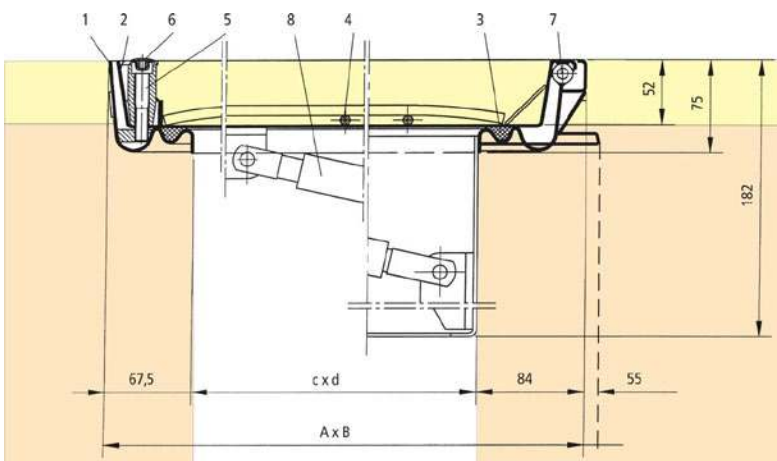
Installation: Installation must be carried out according to our instructions. With water-tight models, care must be taken to seal the outer frame into the surrounding flooring.

Important note: The gas strut(s) are not installed for transport-related reasons. These should be installed after the cover and frame have been installed and filled (concrete must be set), in the open position in accordance with installation instructions.



Web Link:

<https://addlite.co.uk/product-category/hago-floor-access-covers/>



- 1 Frame
- 2 Cover
- 3 Seal
- 4 Reinforcement

- 5 Allen Screw
- 6 Plastic Cap
- 7 Hinge
- 8 Gas Strut

Product Reference	Clear Opening (≈ mm) c x d	Outside Dimensions (≈ mm) A x B	Weight
SBVE-GD 44	400 x 400	535 x 551.5	20 kg
SBVE-GD 55	500 x 500	635 x 651.5	24 kg
SBVE-GD 66	600 x 600	735 x 751.5	28 kg
SBVE-GD 86	800 x 600	935 x 751.5	35 kg
SBVE-GD 88	800 x 800	935 x 951.5	41 kg
SBVE-GD 106	1000 x 600	1135 x 751.5	40 kg
SBVE-GD 108	1000 x 800	1135 x 951.5	42 kg
SBVE-GD 110	1000 x 1000	1135 x 1151.5	53 kg

Number of gas struts

Size: 600 x 600	1	Size: 1000 x 600	2
Size: 800 x 600	2	Size: 1000 x 1000	2
Size: 800 x 800	2		



Contact Details

T: +44 (0)1922 711185
F: +44 (0)1922 714099
E: sales@addlite.co.uk
W: addlite.co.uk



Address

Leamore Close
Leamore Enterprise Park
Walsall, West Midlands
WS2 7NL, England

Addlite Socials

