

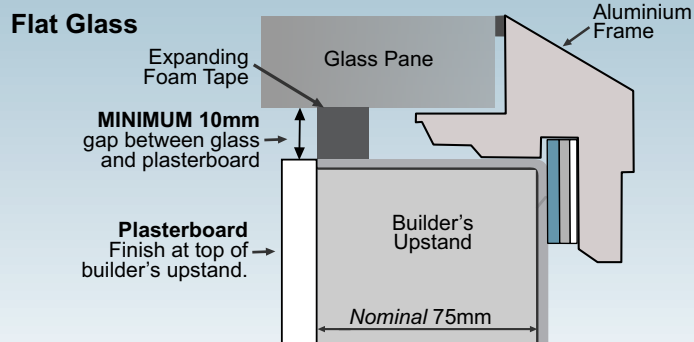
Guidance for Plasterboard Installation Below Dome and Flat Glass Rooflights

This is an advisory document only. Plasterboard should be installed in accordance with plasterboard manufacturer's instructions.

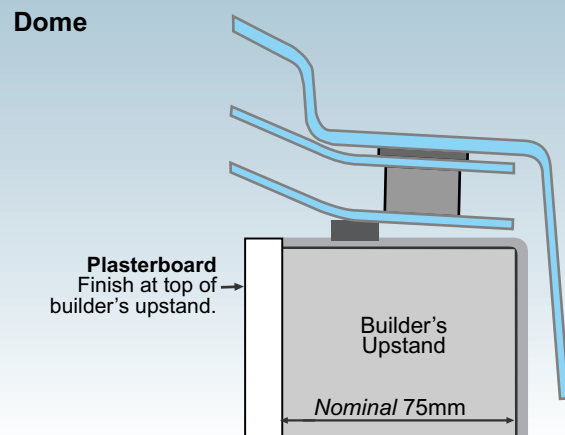
When installing plasterboard below a dome or flat glass rooflight:

- Install Plasterboard after installing the Rooflight
- The top of the plasterboard should finish at the base of the PVC kerb, or the top of the builder's upstand if no kerb is present.
- Do not use plasterboard to cover the rooflight PVC kerb/frame which have a white finish to suit most internal ceilings.
- For flat glass rooflights fitted directly to a builder's upstand ensure a gap of MINIMUM 10mm is maintained between the top of the plasterboard and the underside of the glass.
- Temporarily mask the Dome/Glass surface when installing plasterboard and applying paint to prevent damage.

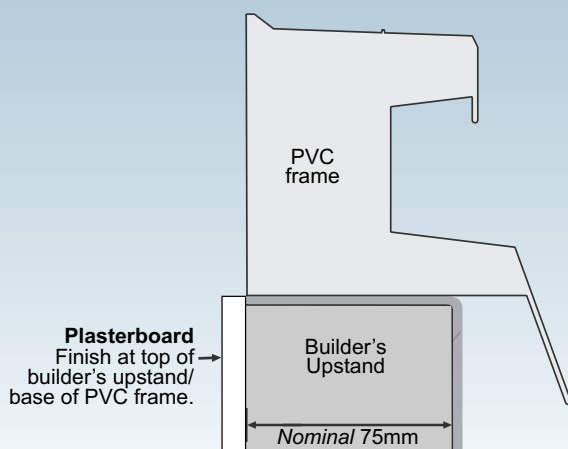
Fixed Rooflight Fitted to Builder's Upstand



- ① Finish plasterboard at the top of the builder's upstand, ensuring there is a MINIMUM 10mm gap between the plasterboard and the underside of the glass

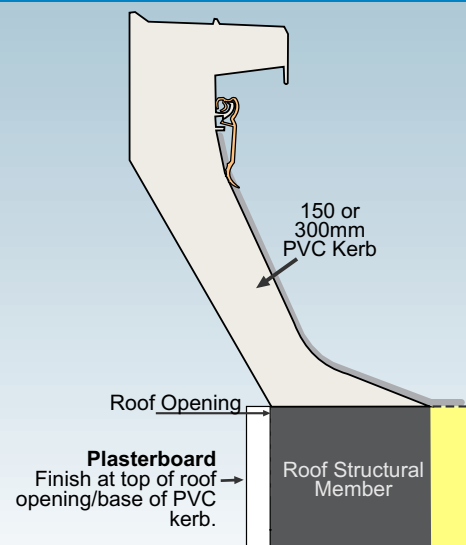


Opening/Vented Rooflights Fitted to Builder's Upstand



- ① Finish plasterboard at the top of builder's upstand/base of PVC frame.
Do not cover any of the PVC frame.

Rooflights with 150mm and 300mm PVC Kerbs



- ① Finish plasterboard at the top of roof opening/base of PVC kerb.
Do not cover any of the PVC kerb.

TECHNICAL SUPPORT: For any technical information/queries please contact your supplier.

The manufacturer operates a policy of continuous product improvement, and reserves the right to alter specifications at any time without notice. Every effort has been taken to ensure all details contained in this document are correct at the time of going to press but this document should be used only as a guide and does not in any way form part of a contract or warranty. It is the customer's responsibility to ensure that the product is suitable for the actual conditions of use, which are beyond the control of the manufacturer.