

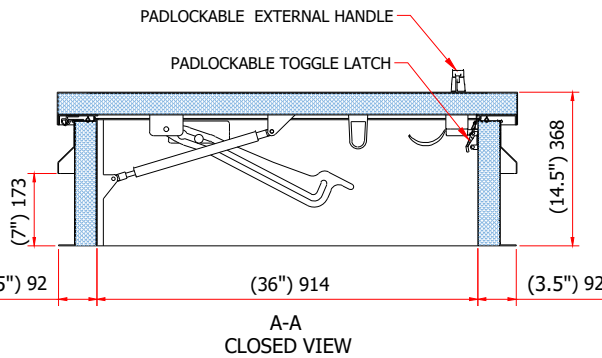
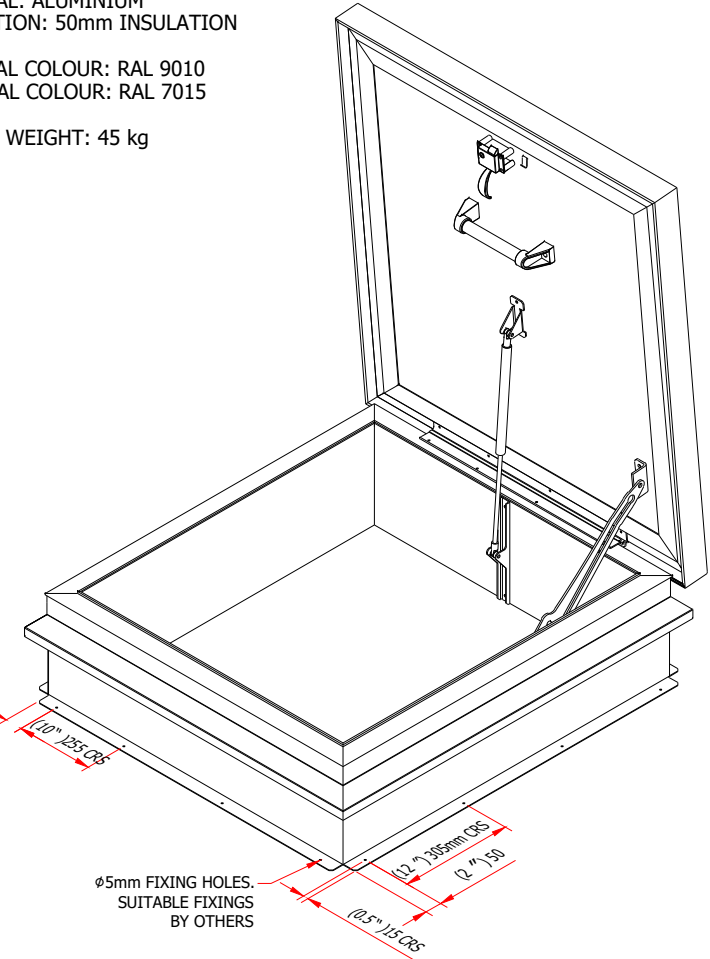
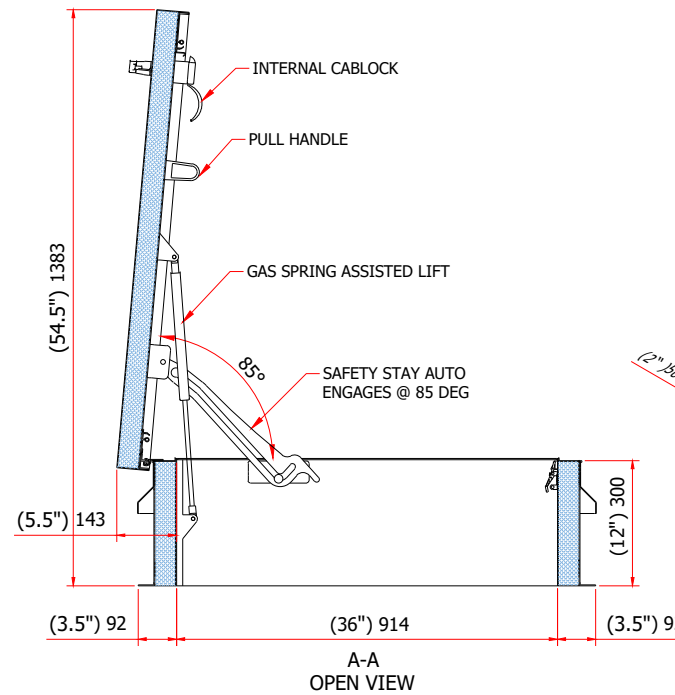
SRHP50
SIZE: 30" x 36" (762 x 914 mm)
UPSTAND HEIGHT: 12" (300 mm)

LOCKING OPTION: LO1 (INTERNAL CABLOCK) / LO2 (PADLOCKABLE TOGGLE LATCH) & LO4 (PADLOCKABLE EXT HANDLE)

MATERIAL: ALUMINIUM
INSULATION: 50mm INSULATION

INTERNAL COLOUR: RAL 9010
EXTERNAL COLOUR: RAL 7015

APPROX WEIGHT: 45 kg



DRAWING MADE BY CAD
MANUAL CHANGES PROHIBITED

Copyright is claimed in this drawing and no copy may be made without prior written permission.



The article shown is also the subject of:
patent rights
registered design rights
unregistered rights
this drawing is a design document
patent pending

WIND RESTRAINTS SHOULD BE SPECIFIED ON ALL ACCESS HATCHES SUBJECT TO HIGH WIND CONDITIONS
THIS IS A MANUALLY OPERATED ACCESS HATCH/COVER & IT IS ESSENTIAL THAT SAFE MEANS OF ACCESS IS PROVIDED FOR THE OPERATOR



Designed by
SURESPAN

Checked by
SURESPAN

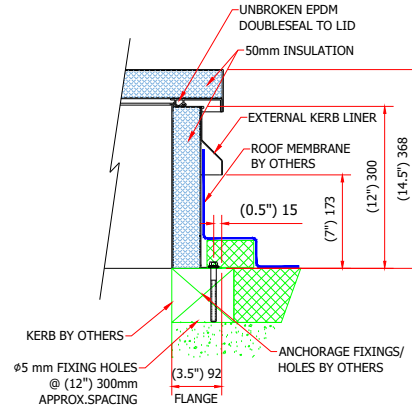
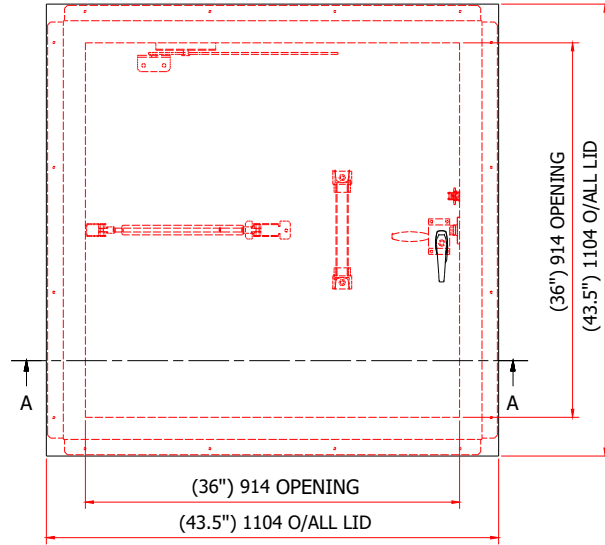
Client
....

Project
....

Date
01.10.2020

EXISTING LAW PROTECTS SURESPAN'S RIGHT OF POSSESSION TO THIS DRAWING. THE DESIGN OR THE DRAWING MUST NOT, WITHOUT PERMISSION OF THE COMPANY, BE PUBLISHED, COPIED, REPRODUCED MANUFACTURED OR EXPLOITED IN ANY OTHER UNAUTHORIZED WAY

SRHP50_30" x 36" (762 x 914 mm)	
SRHP50_30" x 36" (762 x 914 mm)	Revision Sheet 1



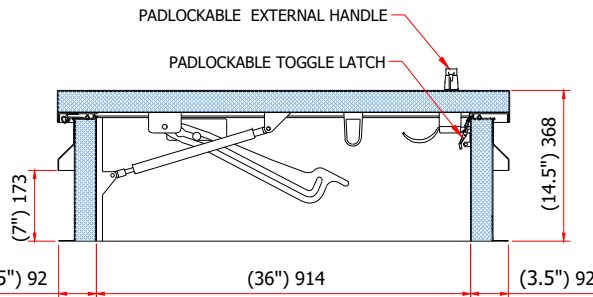
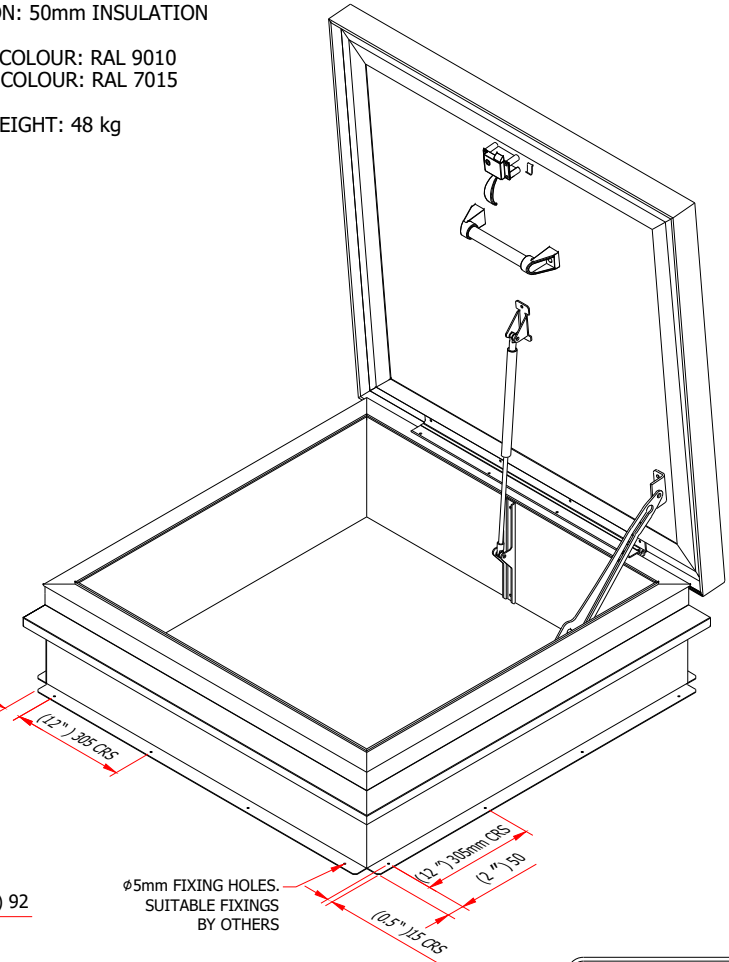
SRHP50
 SIZE: 36" x 36" (914 x 914 mm)
 UPSTAND HEIGHT: 12" (300 mm)

LOCKING OPTION: LO1 (INTERNAL CABLOCK) / LO2 (PADLOCKABLE TOGGLE LATCH) & LO4 (PADLOCKABLE EXT HANDLE)

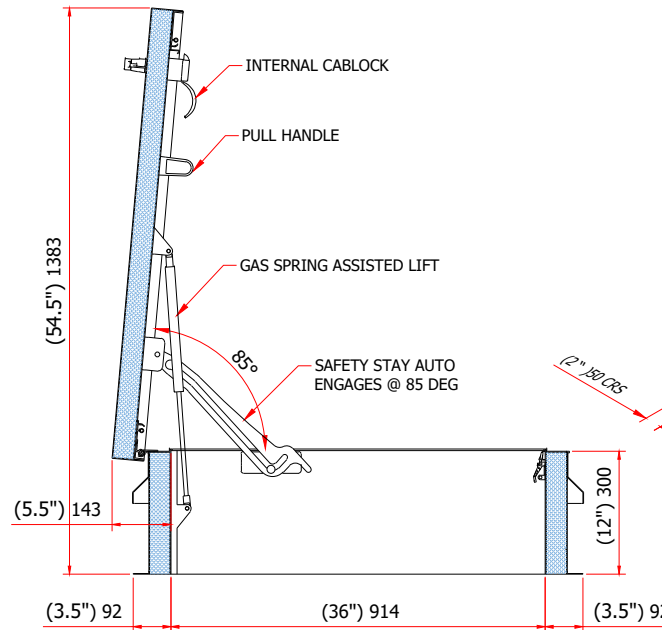
MATERIAL: ALUMINIUM
 INSULATION: 50mm INSULATION

INTERNAL COLOUR: RAL 9010
 EXTERNAL COLOUR: RAL 7015

APPROX WEIGHT: 48 kg



A-A
CLOSED VIEW



A-A
OPEN VIEW

PADLOCKABLE EXTERNAL HANDLE
 PADLOCKABLE TOGGLE LATCH

INTERNAL CABLOCK
 PULL HANDLE
 GAS SPRING ASSISTED LIFT
 85° SAFETY STAY AUTO ENGAGES @ 85 DEG

Ø5mm FIXING HOLES. SUITABLE FIXINGS BY OTHERS

DRAWING MADE BY CAD
 MANUAL CHANGES PROHIBITED

Copyright is claimed in this drawing and no copy may be made without prior written permission.



The article shown is also the subject of:
 patent rights
 registered design rights
 unregistered rights
 this drawing is a design document
 patent pending

WIND RESTRAINTS SHOULD BE SPECIFIED ON ALL ACCESS HATCHES SUBJECT TO HIGH WIND CONDITIONS
 THIS IS A MANUALLY OPERATED ACCESS HATCH/COVER & IT IS ESSENTIAL THAT SAFE MEANS OF ACCESS IS PROVIDED FOR THE OPERATOR



Designed by
SURESPAN

Checked by
SURESPAN

Client

Project

Date
 01.10.2020

EXISTING LAW PROTECTS SURESPAN'S RIGHT OF POSSESSION TO THIS DRAWING. THE DESIGN OR THE DRAWING MUST NOT, WITHOUT PERMISSION OF THE COMPANY, BE PUBLISHED, COPIED, REPRODUCED MANUFACTURED OR EXPLOITED IN ANY OTHER UNAUTHORIZED WAY

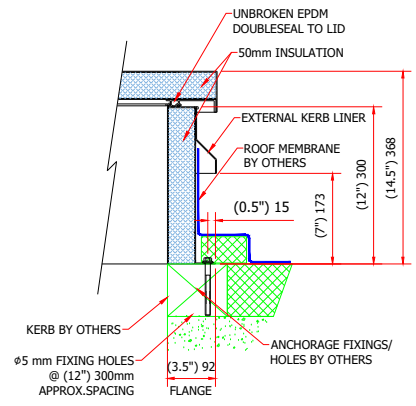
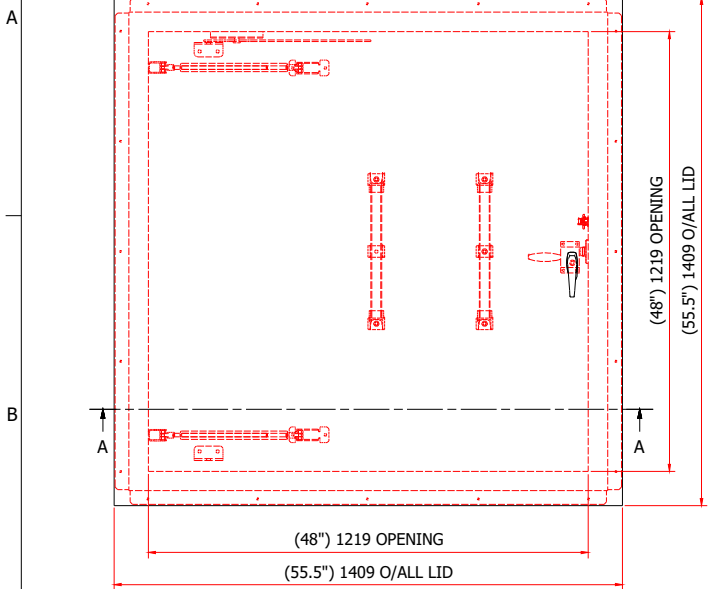
SRHP50_36" x 36" (914 x 914 mm)

SRHP50_36" x 36" (914 x 914 mm)

Revision

Sheet

1



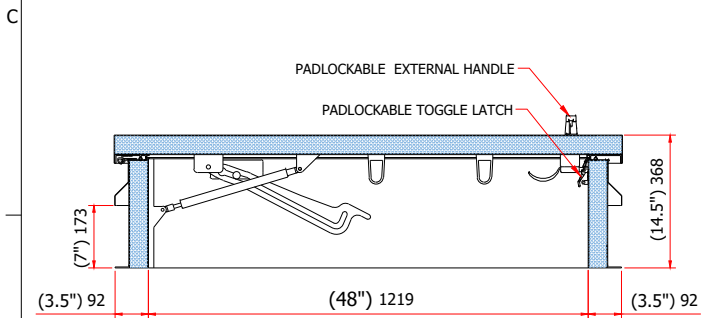
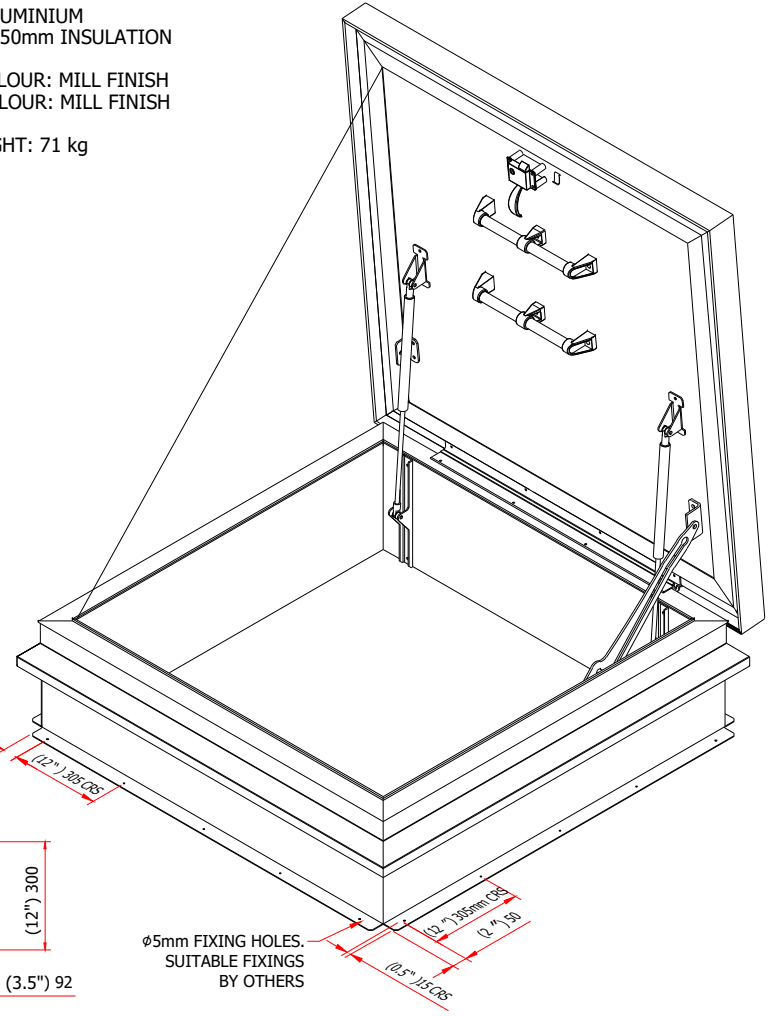
SRHP50
 SIZE: 48" x 48" (1219 X 1219 mm)
 UPSTAND HEIGHT: 12" (300 mm)

LOCKING OPTION: LO1 (INTERNAL CABLOCK) / LO2 (PADLOCKABLE TOGGLE LATCH) & LO4 (PADLOCKABLE EXT HANDLE)

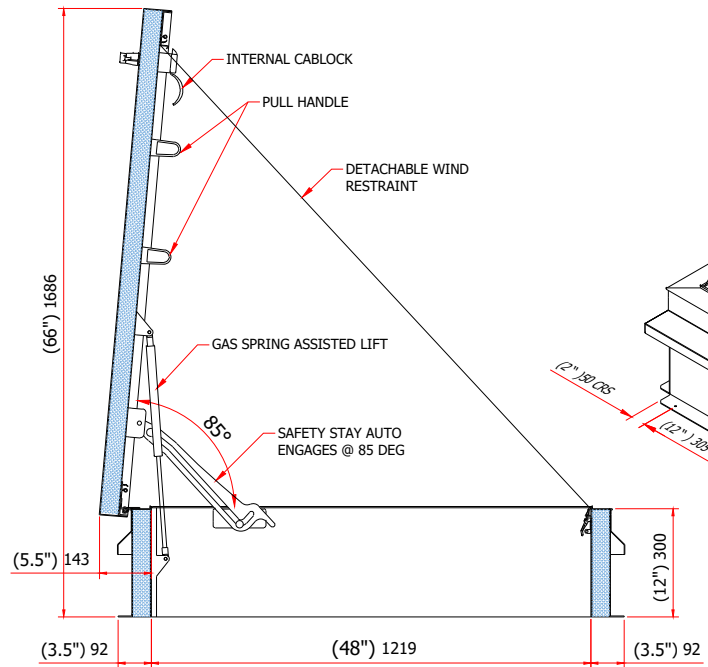
MATERIAL: ALUMINIUM
 INSULATION: 50mm INSULATION

INTERNAL COLOUR: MILL FINISH
 EXTERNAL COLOUR: MILL FINISH

APPROX WEIGHT: 71 kg



A-A
 CLOSED VIEW



A-A
 OPEN VIEW

Ø5mm FIXING HOLES. SUITABLE FIXINGS BY OTHERS

DRAWING MADE BY CAD
 MANUAL CHANGES PROHIBITED

Copyright is claimed in this drawing and no copy may be made without prior written permission.

The article shown is also the subject of:
 patent rights
 registered design rights
 unregistered rights
 this drawing is a design document
 patent pending

WIND RESTRAINTS SHOULD BE SPECIFIED ON ALL ACCESS HATCHES SUBJECT TO HIGH WIND CONDITIONS
 THIS IS A MANUALLY OPERATED ACCESS HATCH/COVER & IT IS ESSENTIAL THAT SAFE MEANS OF ACCESS IS PROVIDED FOR THE OPERATOR



Designed by SURESPAN
 Checked by SURESPAN
 Client: ...
 Project: ...
 EXISTING LAW PROTECTS SURESPAN'S RIGHT OF POSSESSION TO THIS DRAWING. THE DESIGN OR THE DRAWING MUST NOT, WITHOUT PERMISSION OF THE COMPANY, BE PUBLISHED, COPIED, REPRODUCED MANUFACTURED OR EXPLOITED IN ANY OTHER UNAUTHORIZED WAY

SRHP50_48" x 48" (1219 x 1219 mm)		Revision	Sheet
SRHP50_48" x 48" (1219 x 1219 mm)			1